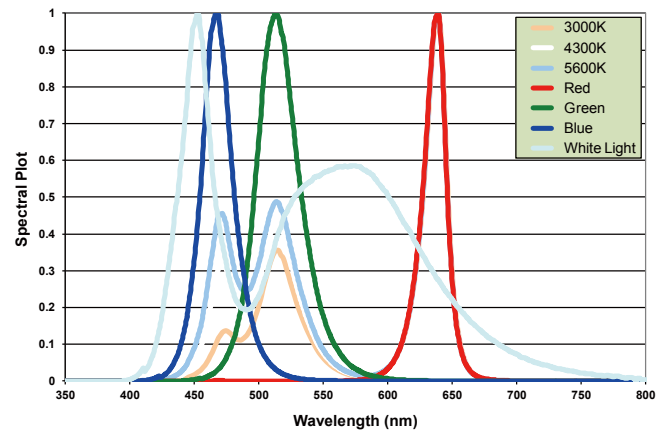
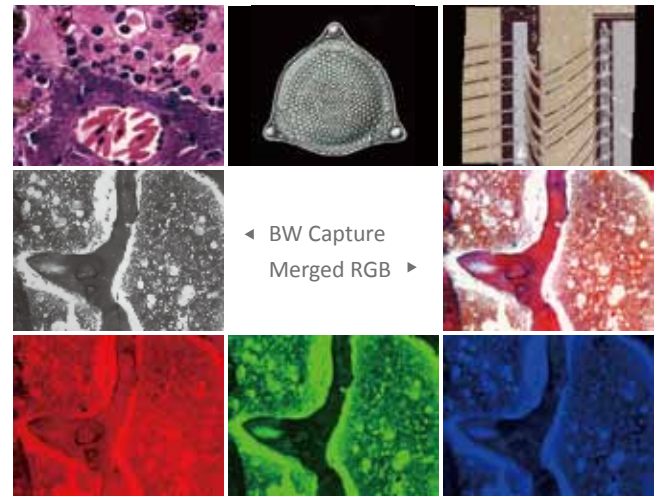


B-Series BRIGHT-FIELD MICROSCOPE ILLUMINATOR

OVERVIEW

ScopeLED's B-Series microscopy illuminator replaces conventional halogen light sources used for bright-field, dark-field, phase contrast, polarized light and DIC in transmitted and reflected light applications. The heart of the B-Series illuminator is DiCon's Dense Matrix high performance LED array. Using advanced thermal design it offers vibration free fan-less cooling with a high intensity optically stable light output.

The RGB model allows any quantitative black and white camera to function as a high speed color imaging system with separate channel analog voltage and TTL trigger control, eliminating the need for specific software drivers. It's non-phosphor based Dense Matrix LED array is inert to laser excitation allowing it to be used as a self shuttering LED transmitted light source with any confocal or laser based fluorescence microscopy system.



FEATURE

- High Efficiency Dense Matrix LED Array Light Engine.
- Available with White Light or RGB LED Light Engines.
- RGB non-phosphor LED Array Safe for Use with Laser Based Fluorescence Microscopes.
- Individual Channel Control for Sequential R,G,B Imaging for Merged Color Acquisition Applications.
- Small Form Factor, Fan-less Cooling, Vibration Free.
- Ergonomic Manual Control Interface.
- USB and TTL connections for software and DAC interface.
- Highly Stable Light Intensities.
- Over 30,000 Hours of LED Life.
- No UV or IR Radiation.



BRIGHT-FIELD MICROSCOPE ILLUMINATOR

ABSOLUTE MAXIMUM RATINGS

Setting	Max Ratings
Supply Voltage	10.8 V to 13.2 V
Input Current	max 3.5 A
Operating Temp	0°C to 40°C
Storage Temp	-40°C to 75°C
Humidity	10% to 90%
B180 Weight	1.10 lbs
B200 Weight	1.84 lbs

OPTICAL PERFORMANCE

5600K White Light for B180/B200

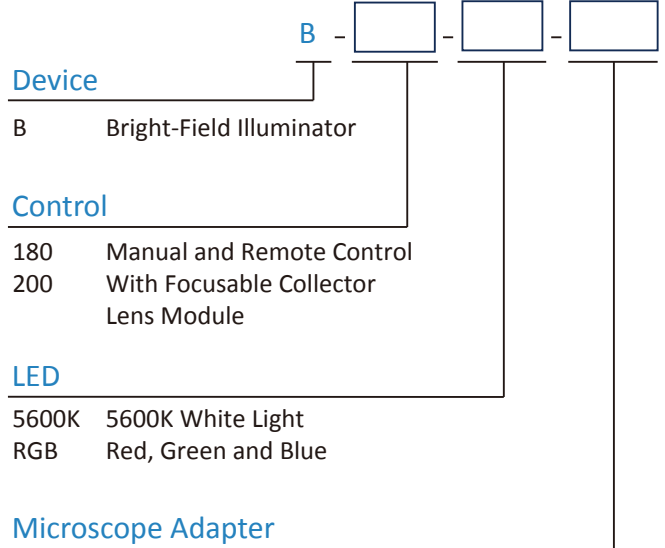
Setting	Radiant Flux (mW)	Luminous Flux (lm)
5600K	2335	740

Mixed RGB for B180/B200

Setting	Radiant Flux (mW)	Luminous Flux (lm)
3000K	2045	516
4300K	2120	517
5600K	2156	514
Red @ 635nm	1196	213
Green @ 521nm	856	351
Blue @ 465nm	1146	86

Note: B200 illuminator includes a defusing rod and collimating lens.

ORDERING INFORMATION



Adapters available for most brands of microscope models - please specify your microscope model for the appropriate adapter.

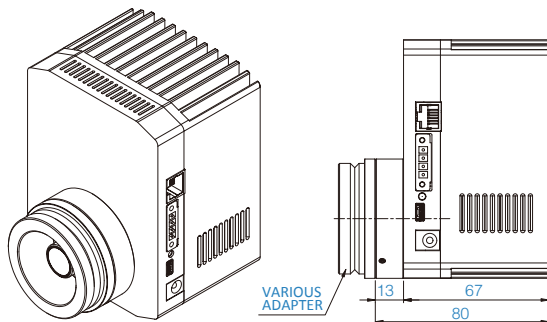
Please contact ACCU-SCOPE for customized wavelengths or spectrums.

DISTRIBUTED BY

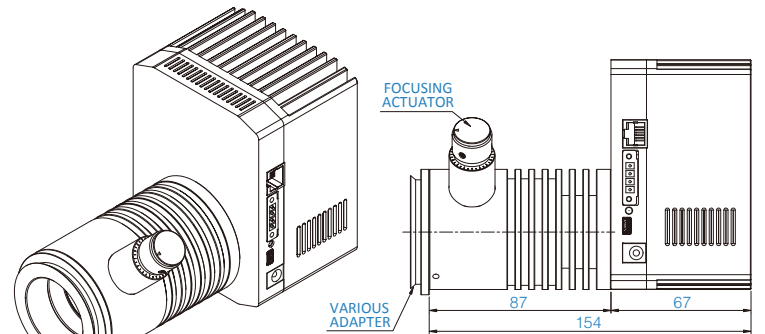


MECHANICAL DIMENSION

B180



B200



Length Unit: mm