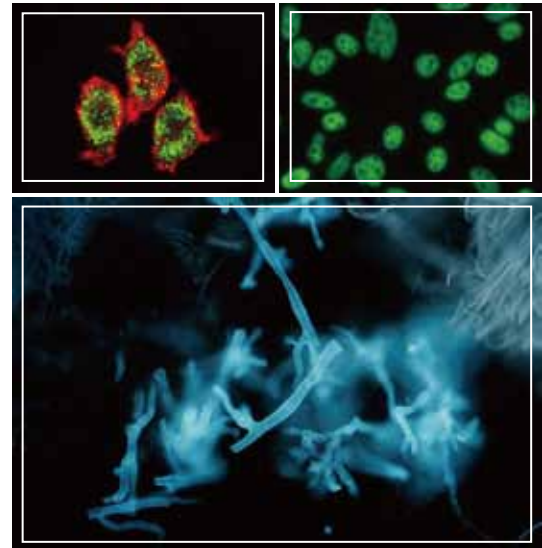


# F-Series DENSE MATRIX ARRAY - LED FLUORESCENCE ILLUMINATOR

## OVERVIEW

ScopeLED's F-Series LED based Fluorescence Microscope Illuminator is designed to replace the conventional arc lamp sources for fluorescence microscopy applications. The heart of the F-Series illuminator is our high performance LED light engine with our advanced thermal design yielding a very high intensity optically stable light output. The F-Series design offers a nice small lamphouse type form factor, directly coupling to the microscope's epi-fluorescence illuminator and the smallest desktop footprint available in the industry. ScopeLED offers wavelengths from 390nm to 670nm in single, dual or quadruple wavelength models. See why ScopeLED is the bright solution for wide-filed fluorescence applications, affordable, efficient and environmentally friendly.



## FEATURE

- High Efficiency Dense Matrix LED Array Light Source
- Brilliant Fluorescence Images
- Easy Ergonomic Controls
- Instant On/Off
- Variable Intensity
- 30,000 Hours of LED Life
- Direct Coupling to Microscope
- Extremely Cost Effective
- ✓ No Hazardous Material in the Laboratory
- ✓ No Fiber Guide Replacement
- ✓ No Bulb Replacement
- ✓ No Maintenance
- ✓ No Alignment
- ✓ No Vibration

## COMPATIBLE MICROSCOPE BRANDS

ACCU-SCOPE, Leica, Motic, Nikon, Olympus, UNITRON, Zeiss and Others.

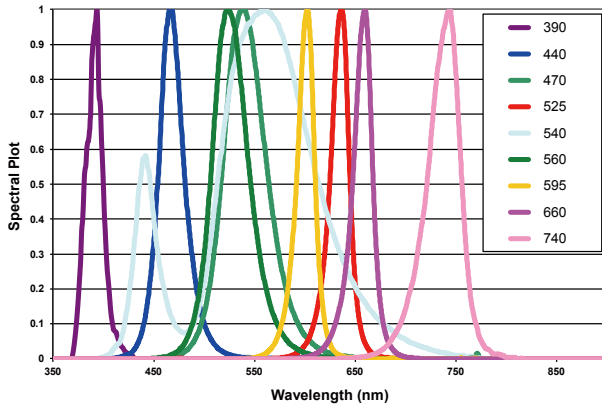
## DISTRIBUTED BY



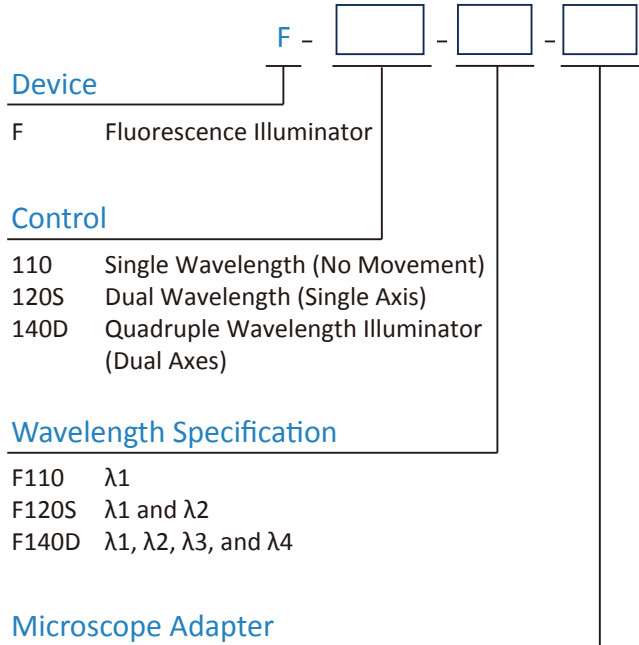
# DENSE MATRIX ARRAY - LED FLUORESCENCE ILLUMINATOR

## TYPICAL FIXTURE OPTICAL PERFORMANCE @ 690mA, 25°C, SCAN AT STABLE

Nominal Wp	390±5	440±5	470±10	525	540±5	560P(±10)	595±5	640±5	660±5	740±5
Measured Wp	389	442	468	523	538	558	602	638	659	744
Power (mW)	400	600	520	230	200	460	150	420	350	200



## ORDERING INFORMATION



### Device

F Fluorescence Illuminator

### Control

- 110 Single Wavelength (No Movement)
- 120S Dual Wavelength (Single Axis)
- 140D Quadruple Wavelength Illuminator (Dual Axes)

### Wavelength Specification

- F110 λ1
- F120S λ1 and λ2
- F140D λ1, λ2, λ3, and λ4

### Microscope Adapter

Adapters available for most brands of microscope models - please specify your microscope model for the appropriate adapter.

Please contact ACCU-SCOPE for customized wavelengths or spectrums.

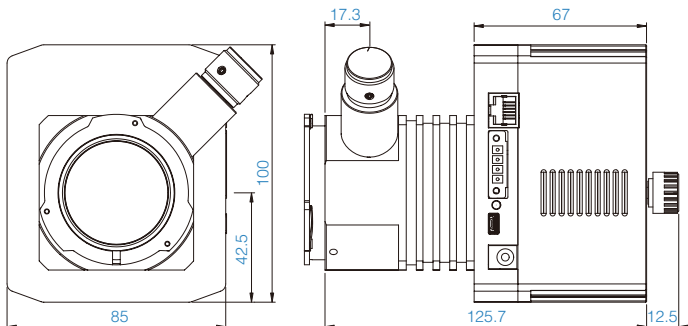
## ABSOLUTE MAXIMUM RATING

Setting	Max Ratings
AC Input Voltage (* PSU)	100 - 240 V
Input Frequency (* PSU)	50 - 60 Hz
AC Input Current (max)(* PSU)	600 mA
Power Consumption (Normal)	30 W
Model F110 Weight	1.61 lbs
Model F120S Weight	2.62 lbs
Model F140D Weight	2.82 lbs

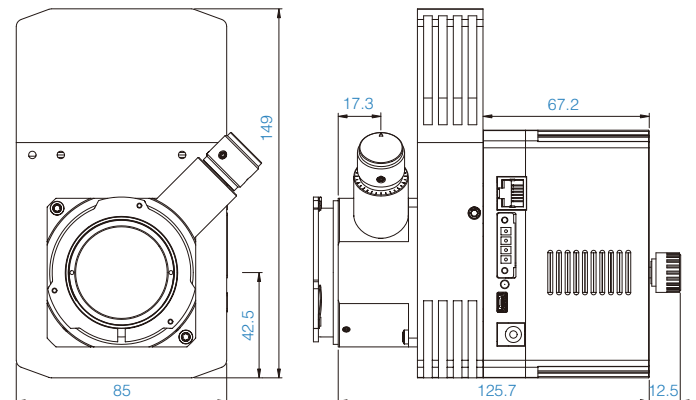
\*PSU - Power Supply Unit

## MECHANICAL DIMENSION

### F110



### F120S and F140D



Length Unit: mm