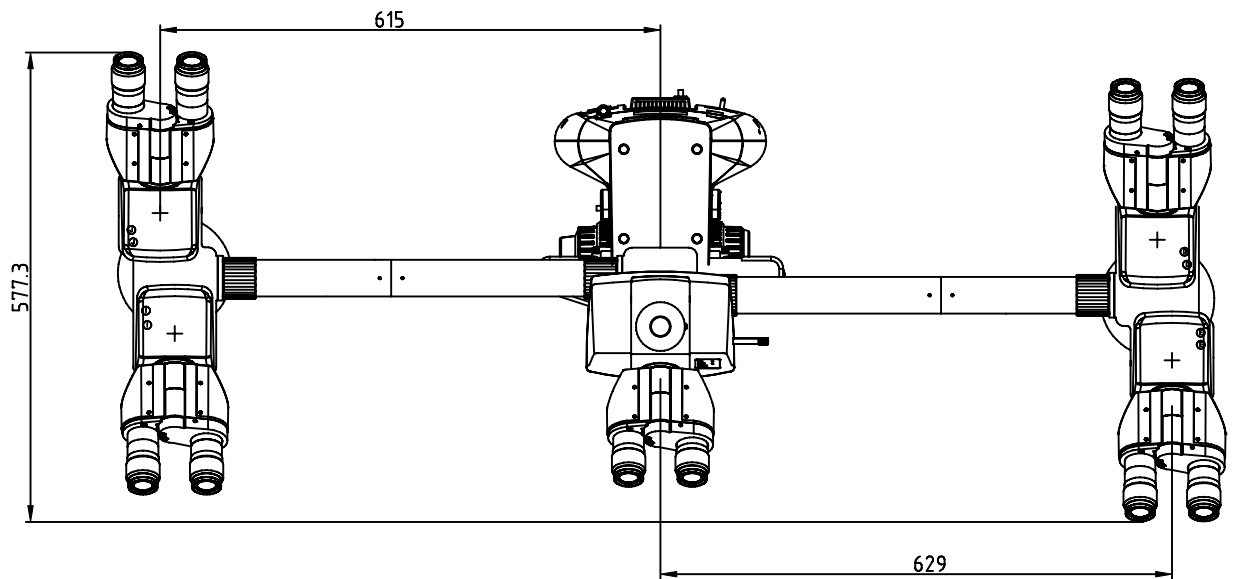
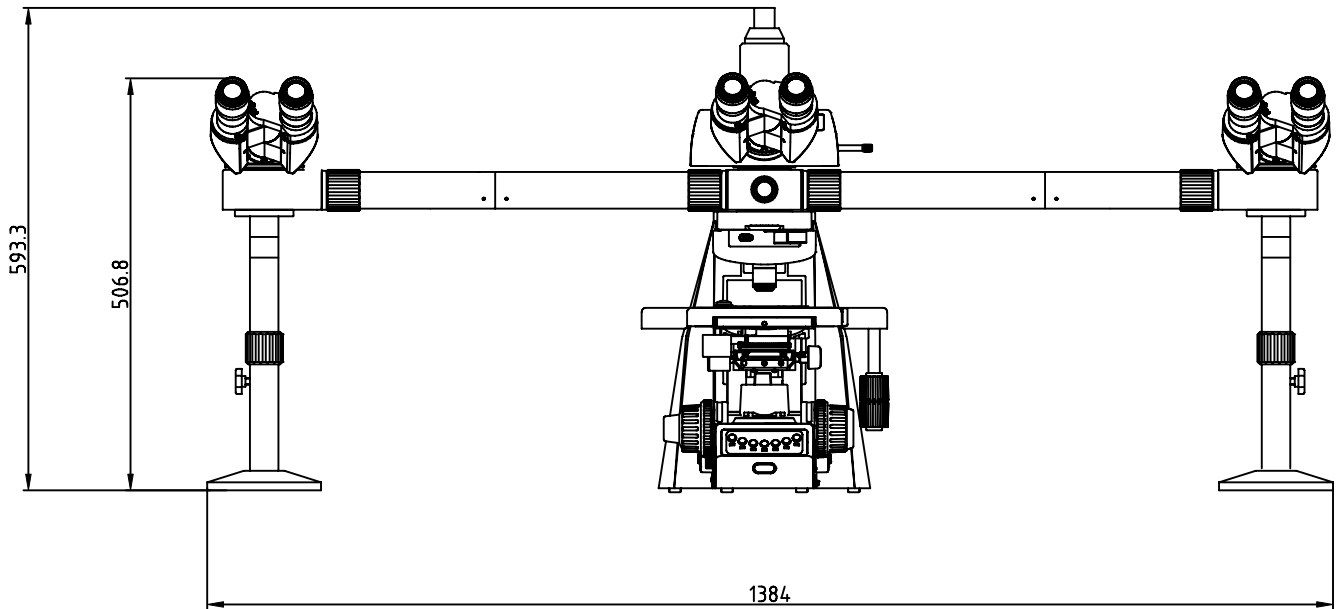




**EXC-500**  
**CAT# 500-5SBS**  
Dimensional Drawing



Dimensions in mm