



ACCU-SCOPE®

MICROSCOPY & IMAGING SOLUTIONS

EXC-360
Clinical Microscope



Empowering Discovery. Advancing Results.



Next Generation Microscopy and Imaging Solutions

Your Routine Clinical Microscope

As a market leader in quality microscopy and imaging solutions, ACCU-SCOPE blends precision, performance, and outstanding value like no other manufacturer can. We deliver superb yet affordable optical instrumentation and microscopy innovations that help advance the work, improve the outcomes, and empower the achievements of the demanding professionals we're privileged to serve. No matter your industry, discipline, or individual endeavor, count on ACCU-SCOPE microscopy, imaging solutions, and accessories to exceed expectation as you achieve your goals.

EXC-360: Routine Clinical Microscope

The NEW EXC-360 from ACCU-SCOPE delivers exceptional optical performance, versatility and durability for clinical, veterinary and education laboratory environments. With infinity Plan Achromat objectives and brilliant LED illumination, the EXC-360 produces bright, high-resolution images. The trinocular head is ready to accept a microscopy camera (requires C-mount camera adapter) for documentation, analysis, and instructional purposes.

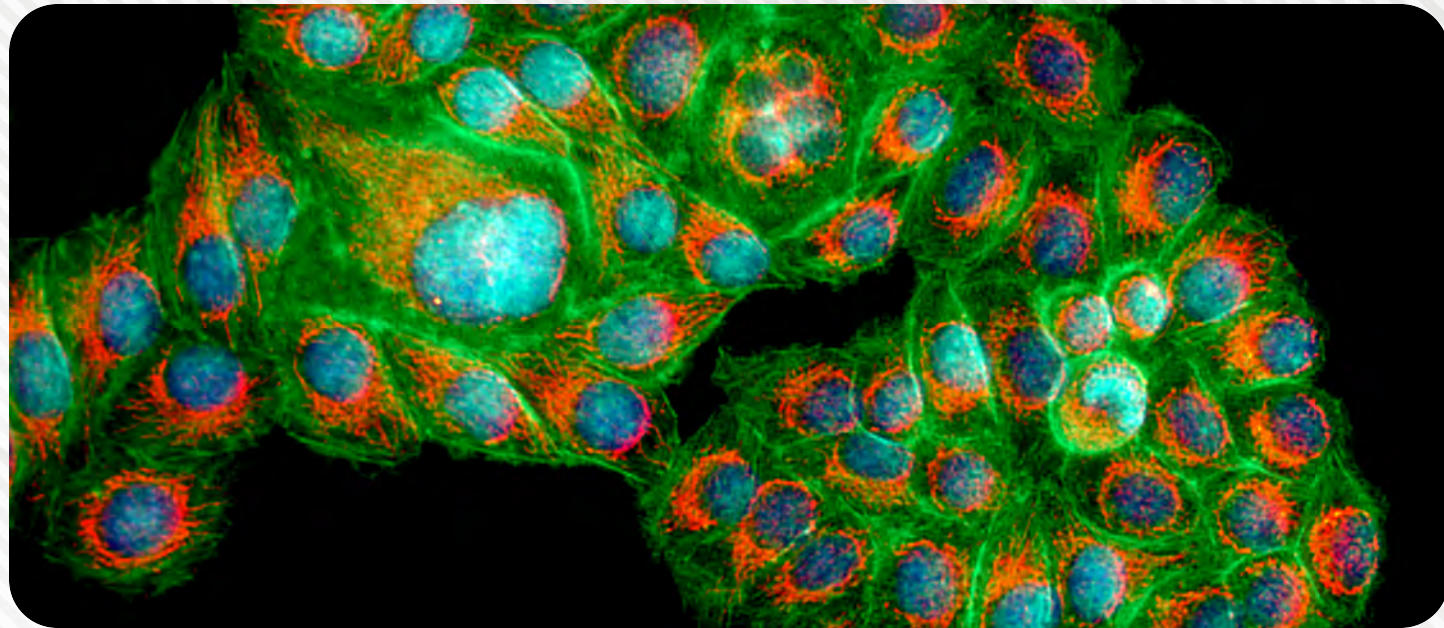


Brilliant Optics

With objectives from 2x to 100x oil immersion, you choose the best optics for your application. The available objectives for the EXC-360 support a variety of contrast methods including brightfield, phase contrast, fluorescence and darkfield. Most objective magnifications are available as Plan Achromat, Semi-Apochromat or Phase Contrast.

OBJECTIVES	IMMERSION	NA	WD	COVER GLASS THICKNESS	BRIGHTFIELD	PHASE CONTRAST	FLUORESCENCE	DARKFIELD
2x Plan Achromat		0.06	18.0mm	-	●		●	
4x Plan Achromat		0.10	15.0mm	-	●		●	●
10x Plan Achromat		0.25	10.8mm	-	●		●	●
20x Plan Achromat		0.40	1.5mm	0.17mm	●		●	●
40xR* Plan Achromat		0.65	0.8mm	0.17mm	●		●	●
50xR* Plan Achromat	Oil	0.95	0.18mm	0.17mm	●		●	
60xR* Plan Achromat		0.85	0.3mm	0.17mm	●		●	
100xR* Plan Achromat	Oil	1.25	0.21mm	0.17mm	●		●	
100xR* Plan Achromat	Water	1.10	0.3mm	0.17mm	●		●	
10x Plan Phase		0.25	10.8mm	-	●	●	●	●
20x Plan Phase		0.40	1.5mm	0.17mm	●	●	●	●
40xR* Plan Phase		0.65	0.8mm	0.17mm	●	●	●	●
100xR* Plan Phase	Oil	1.25	0.21mm	0.17mm	●	●	●	
4x Plan S-APO		0.13	16.5mm	-	●		●	●
10x Plan S-APO		0.30	8.1mm	-	●		●	●
20x Plan S-APO		0.50	2.1mm	0.17mm	●		●	●
40xR* Plan S-APO		0.75	0.7mm	0.17mm	●		●	●
100xR* Plan S-APO	Oil	1.30	0.15mm	0.17mm	●		●	

*Spring-loaded



Fluorescence Observation

The EXC-360 is available with an optional 1, 2, or 3-channel fluorescence accessory with integrated LED illumination. Applications for fluorescence observation include immunostaining, fungus and bacteria identification, nucleic acids and genetics, and protein localization.



Phase Contrast & Darkfield Observation

The EXC-360 is available with optional phase contrast observation for viewing phase-sensitive details in stained or unstained samples. Choose from slider or turret condenser based systems. A darkfield slider is also available for the Abbe condenser.



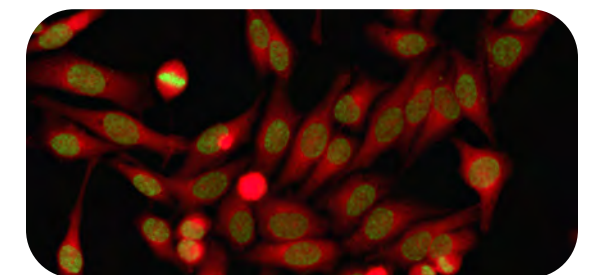
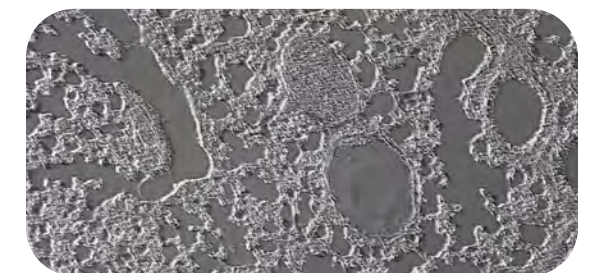
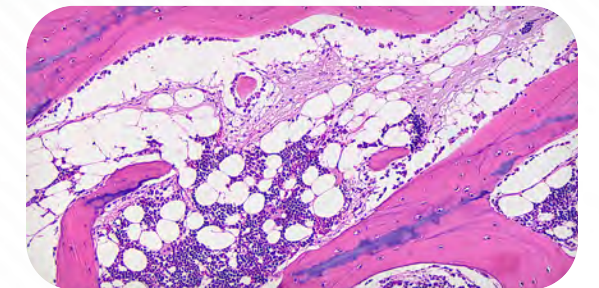
Ergonomic Comfort

The EXC-360 is available with a fixed-angle trinocular or ergonomic tilting binocular head, both providing outstanding comfort during observation. The eyetubes of the trinocular head can be rotated to raise (or lower) the viewing point by 35mm, accommodating operators of different heights. The ergonomic binocular head has an adjustable viewing angle of 5° - 35° to reduce neck and shoulder strain during use.



Stay Connected

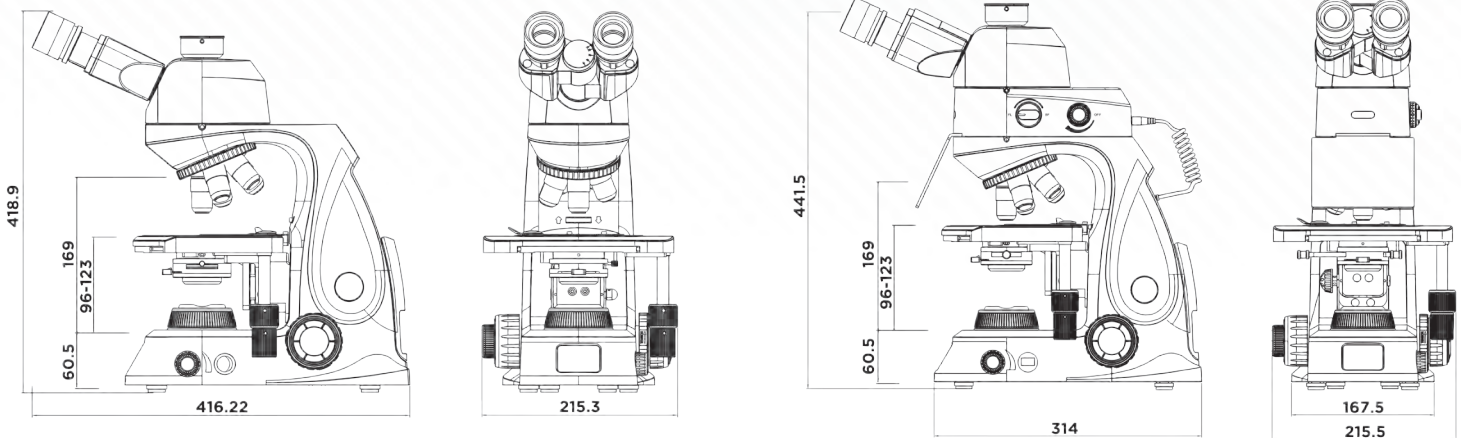
The EXC-360 features a USB-C charging port on the back to keep your smartphone charged up and ready for use. Couple your smartphone with the EXC-360 and one of our WiFi cameras and you are ready for imaging and sharing all day long.



EXC-360 Routine Clinical Microscope

SPECIFICATIONS

Viewing Heads	Trinocular, Siedentopf-type viewing head, inclined 30°, rotatable 360°; fixed light path split 50:50 eyepieces:camera port; eyetubes can be rotated and adjusted 180°; interpupillary distance adjustment 50-75mm; <i>Optional: ergonomic tilting binocular (5° - 35°)</i>
Optical System	Infinity Optical System, f = 180mm, anti-mold
Objectives	Plan Achromat 2x, 4x, 10x, 20x, 40x*, 50x* oil, 60x*, 100x* dry, 100x* water, 100x* oil; Plan Phase 10x, 20x, 40x*, 100x* oil; Plan S-APO 4x, 10x, 20x, 40x*, 100x* (*Spring-loaded)
Eyepieces	PL10x/22mm focusable eyepieces with eye cushions; accepts 24mm reticle <i>Optional 15x and 20x eyepieces are available</i>
Nosepiece	Rear facing quintuple, ball bearing nosepiece with positive click stops
Focusing System	Coaxial focusing system with adjustable tension control and upper limit stop to prevent accidental damage to slides; all metal gears, brass for fine focus
Stand	All metal structural frame with molded plastic protective shell; 5v USB-C charging port on back for personal mobile device
Stage	Double-layer, rackless mechanical stage with ceramic insert; X-Y movement range 79mm
Condenser	N.A. 1.25 condenser with iris diaphragm; slot for phase contrast or darkfield sliders, 2x diffuser slider
Illumination	3W LED with variable intensity control; LED bulb is rated for over 25,000 hours of continuous use; internal universal power supply 110-240v
Accessories	Dust cover, instruction manual included
Optional Accessories	Fluorescence attachments; turret phase and slider phase contrast set; darkfield slider (4x - 40x); simple polarizer/analyzer; microscope cameras and adapters
Warranty	5-year limited warranty for parts, labor and electronic components; 1-year warranty on LED bulb



Units: mm



Copyright © 2024 ACCU-SCOPE Inc. All rights reserved. Printed in the U.S.A. ACCU-SCOPE Inc. reserves the right to change and improve specifications without notice due to technological or manufacturing advances.



v082724