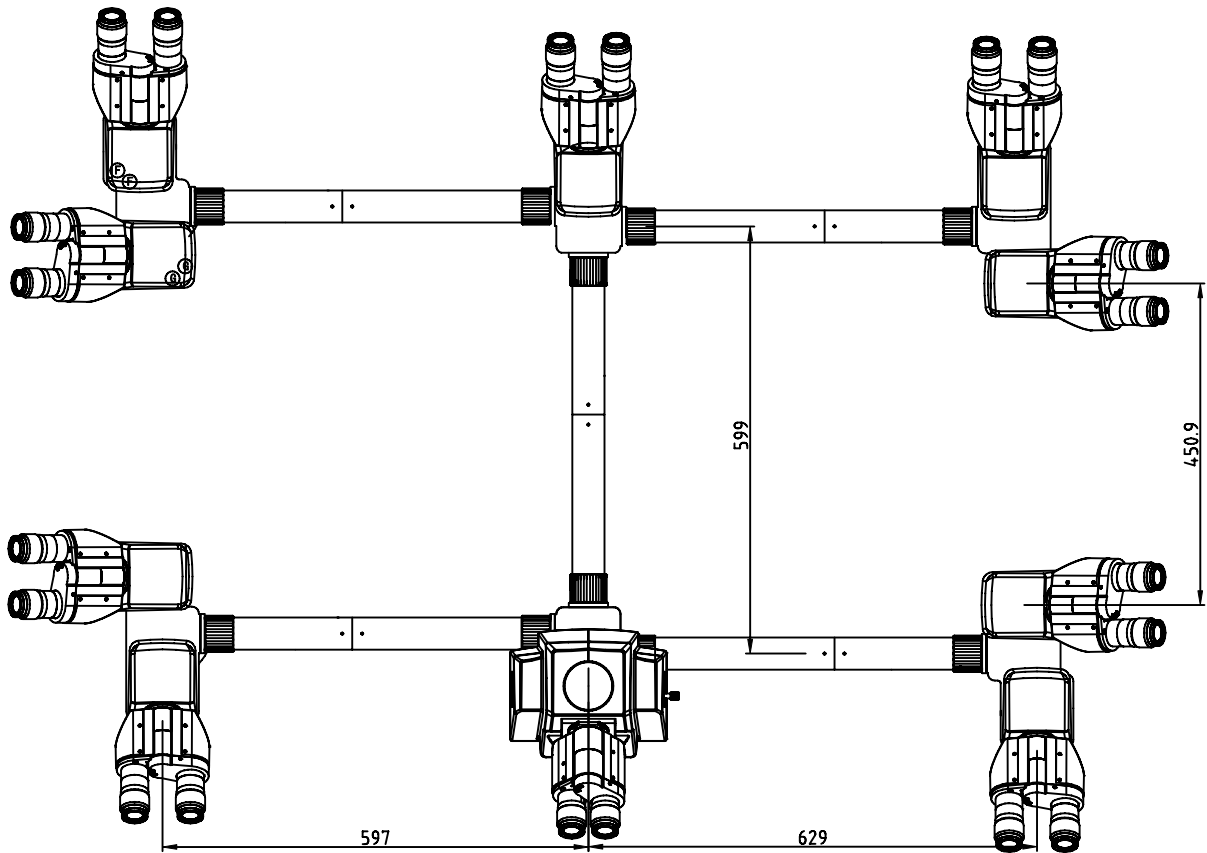
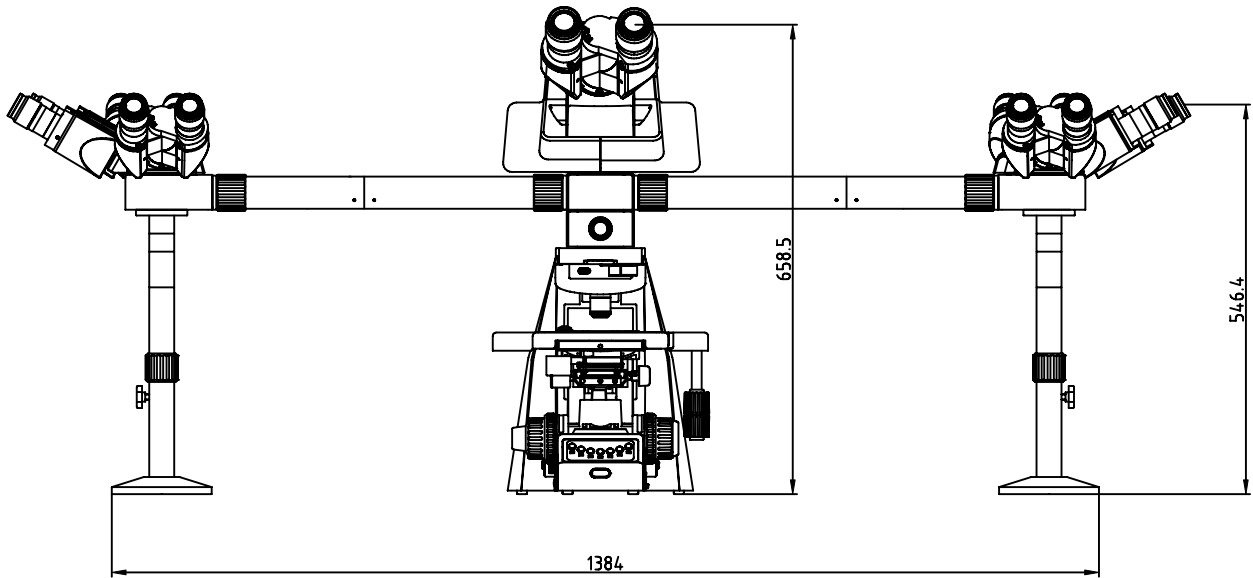




# EXC-500 CAT# 500-10SBS Dimensional Drawing



Dimensions in mm